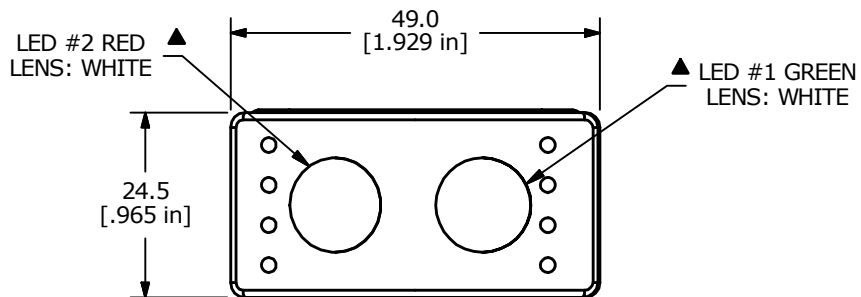
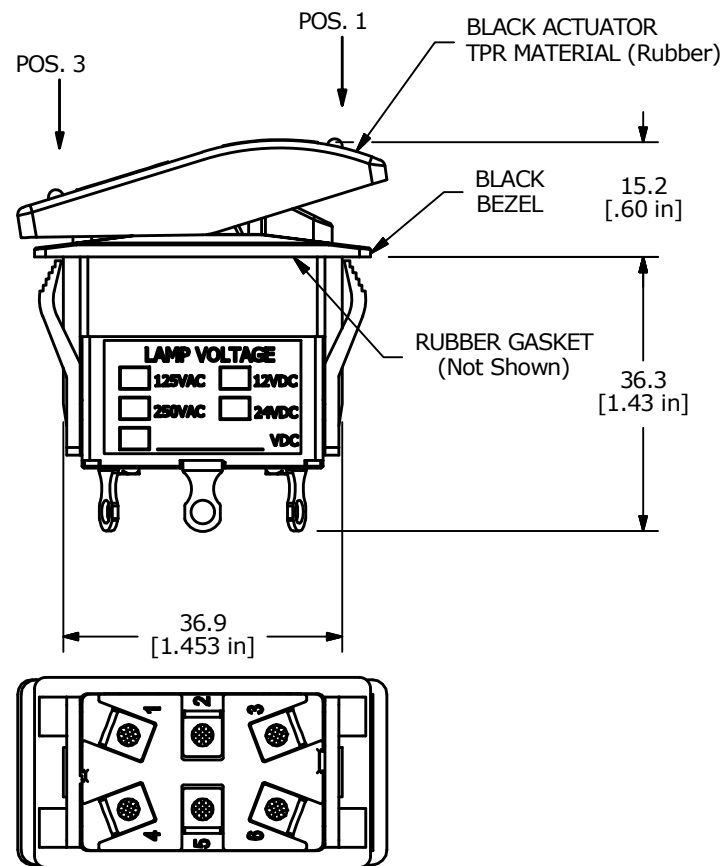
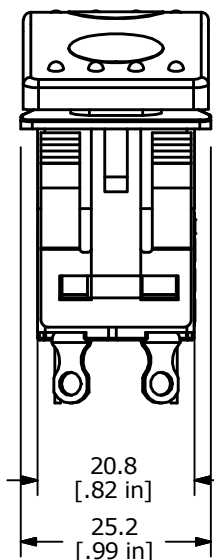
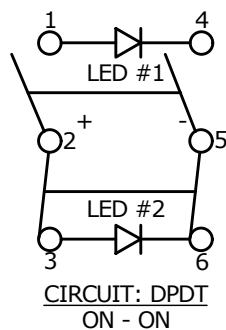


RECOMMENDED PANEL CUT-OUT

PANEL THICKNESS	X
1.0 - 1.5	37.3 ^{+0.0} _{-0.1}
2.5 - 3.0	37.5 ^{+0.0} _{-0.1}
3.5 - 4.5	37.7 ^{+0.0} _{-0.1}



SWITCH FUNCTION		
POS. 1	POS. 2	POS. 3
ON	N/A	ON
1-2; 4-5	N/A	2-3; 5-6



NOTES:

- ALL DIMENSIONS IN MM [INCH]
- GENERAL TOLERANCE: X.X=±0.4
X.XX=±0.25
- TERM. NOS. FOR REF. ONLY
- RATING: 20(8)A @ 125/250VAC, 50/60 Hz, μT55, cURus
- ELECTRICAL LIFE: 10,000 CYCLES
- MECHANICAL LIFE: 30,000 CYCLES
- CONTACT RESISTANCE: <20 MILLI-OHMS INITIAL
- DIELECTRIC STRENGTH: >1,500V AC 1MIN
- INSULATION RESISTANCE: >100 MOHMS @ 500VDC
- OPERATING TEMP: 0°C to 55°C
- LED VOLTAGE: 125VAC
- ▲ DENOTES CRITICAL PARAMETER.
- 2011/65/EU (ROHS) COMPLIANT



TITLE R722SF3-SXXX4BBGRW				
SCALE 1:1	DATE 5/9/2016	DR MJR	DWG C700026	REV A

A	22297	NEW RELEASE	5/20/16	MJR
REV	PCR NO	DESCRIPTION	DATE	BY

THE INFORMATION CONTAINED IN THIS DOCUMENT IS PROPRIETARY TO E-SWITCH AND IS NOT TO BE COPIED OR TRANSFERRED